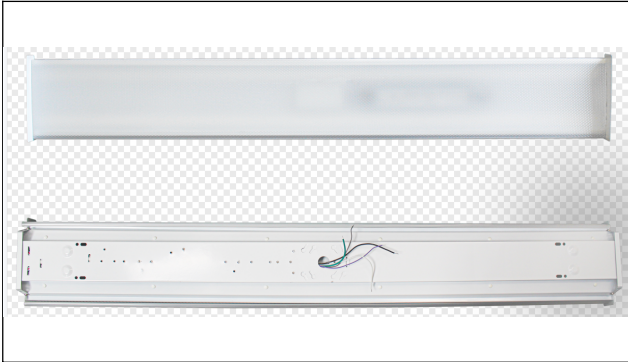


CPS LED LIGHTING



PRODUCT NAME : TUNABLE WRAP LIGHT
PRODUCT SKU: CPS-TWR-4-30/35/40W-UL-3550

PRODUCT DESCRIPTION

Power and CCT tunable for many options in one product. Designed to provide a cost effective solution for bright, efficient lighting. With a large array of applicable locations and minimal upkeep, this fixture makes an excellent choice for a low-maintenance lighting solution.

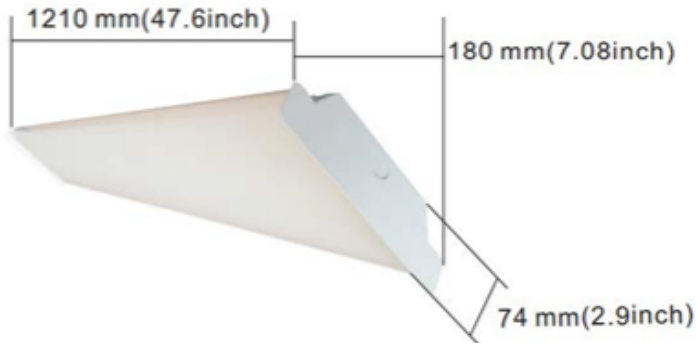
APPLICATIONS
Offices, Hallways, Conference rooms, Multipurpose rooms.

ORDERING INFORMATION				
SERIES	SIZE	WATTAGE	VOLTAGE	CCT
CPS-TWR-	4-	30/35/40W-	UL-	3550

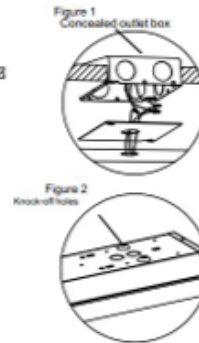
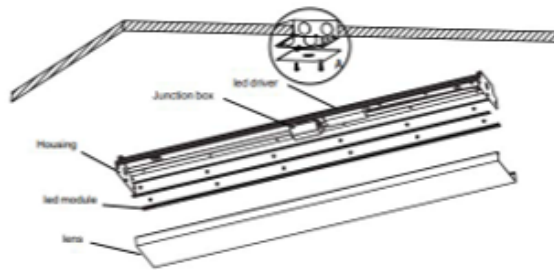
CERTIFICATIONS & RATINGS
IP
DLC: yes
UL: no
ETL: yes
NSF: no
CPS RECOMMENDATIONS:
EMB: available
CONTROL: available
SENSOR: available

SPECIFICATIONS
LM/W: 130
Warranty: 5 years
CRI: 80
Temperature Rated: -4°F (-20°C) to 122°F (50°C)
Mounting: surface mount, wall, and ceiling
Voltage: UL = 120-277V, UH=277-480V
Housing: Steel white powder coating
CCT: 3500K, 4000K, 5000K adjustable

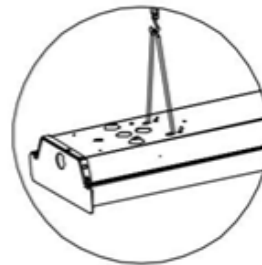
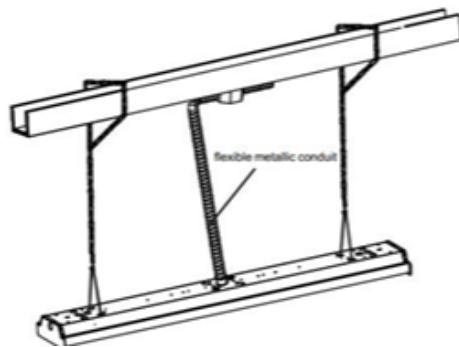
DIMENSIONS & PHOTOMETRICS



Mounting: Surface Mount



Chain Mount:



Surface Instructions:

- Remove product from packaging
- Remove lens by pulling from one side of the fixture and hinge on the other
- For mounting, using the provided holes on each end of the fixture housing.
- Make electrical connections according to code.
- Install channel cover.
- Install lens on one side of the fixture and rotate to engage the opposite side.

Chain Instructions:

- Remove product from packaging.
- Remove lens by pulling from one side of the fixture and hinge on the other
- For mounting, using the provided mounting holes on each end of the fixture housing .
- Make electrical connections according to code. Install channel cover. Install lens on one side of the fixture and rotate to engage the opposite side.